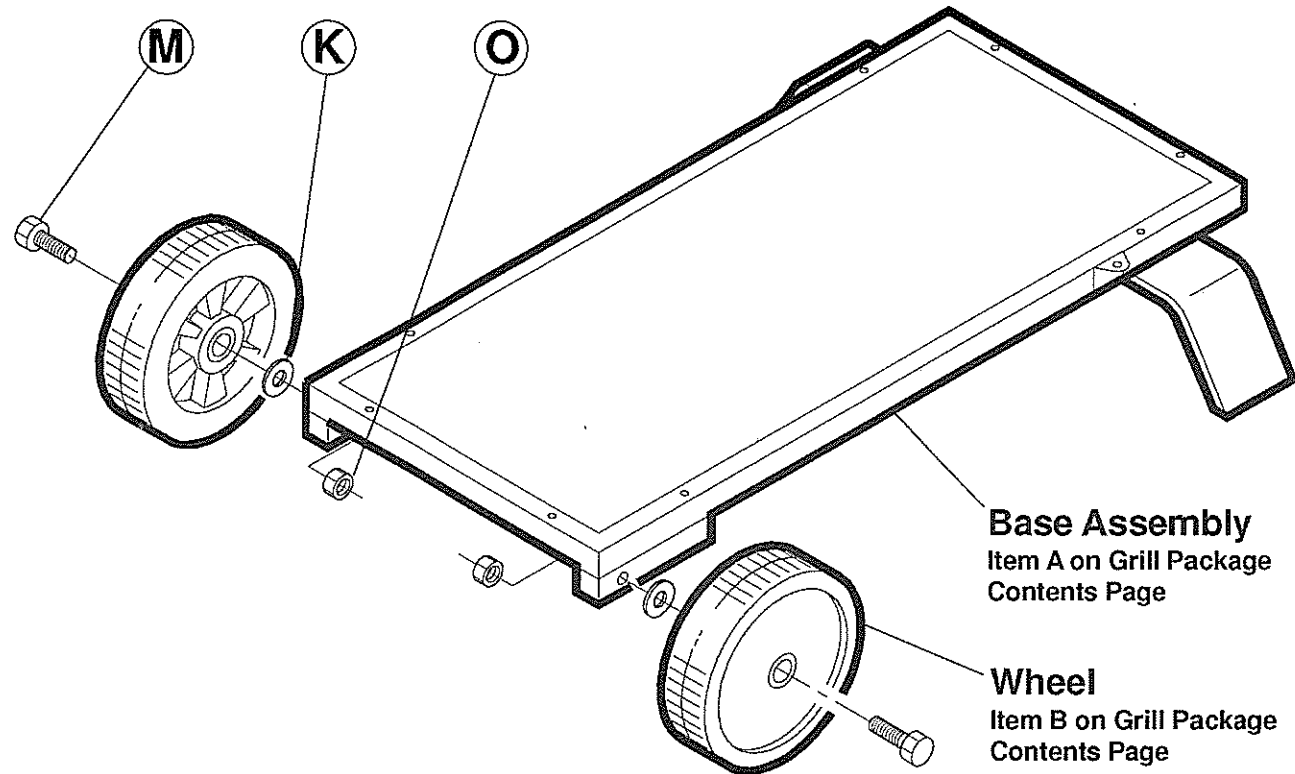


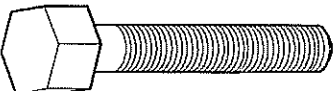

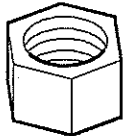
# Step 1



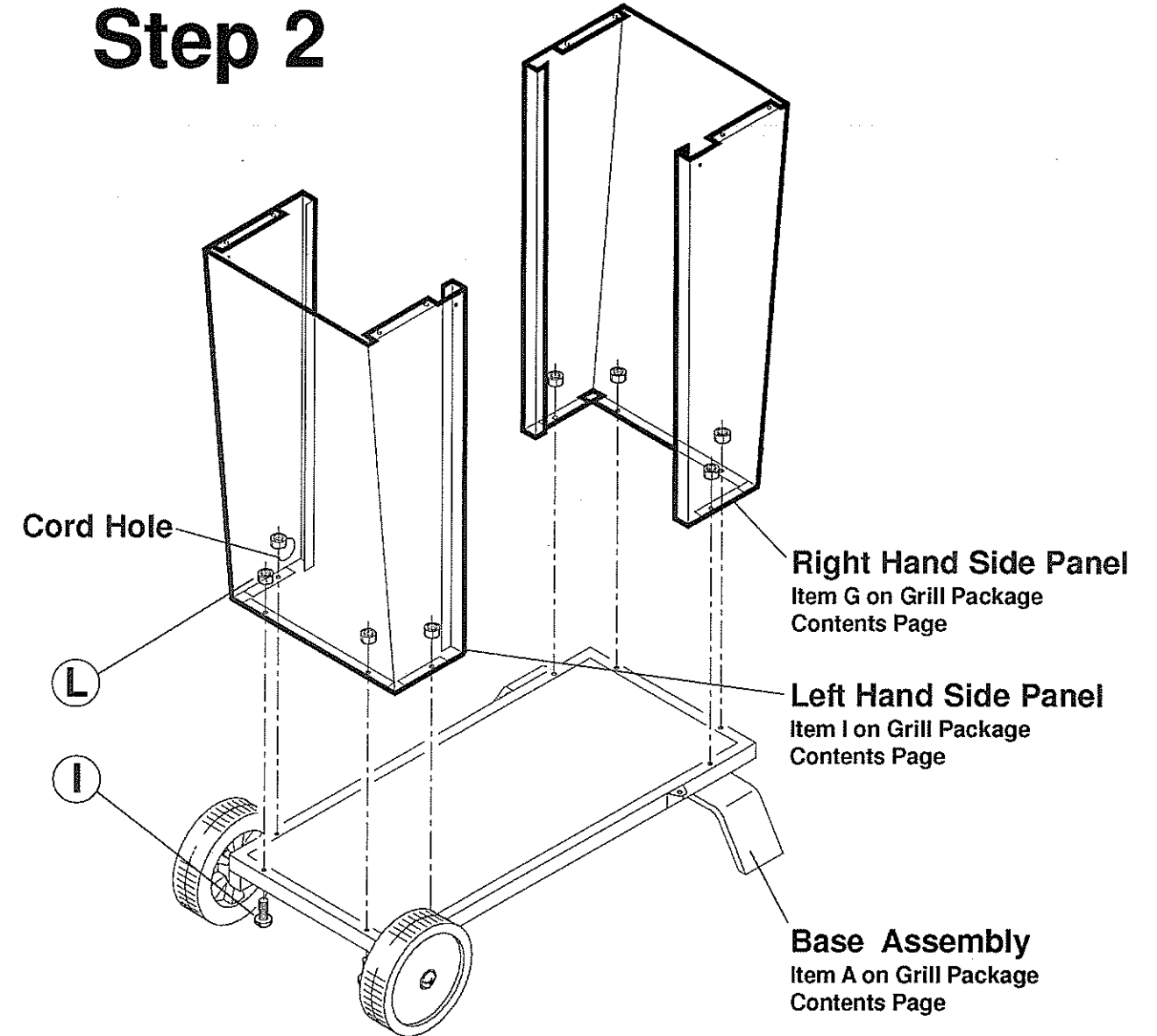
### Wheel Assembly

Install the wheels onto the base assembly using 1 of item M, K and O for each wheel.

Tighten all fasteners using an adjustable wrench and a 13mm box type wrench.

	<b>2 of M</b>
	<b>2 of K</b>
	<b>2 of O</b>

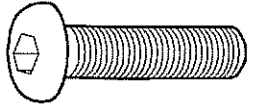
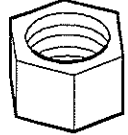
# Step 2



### Left and Right Side Panel Assembly

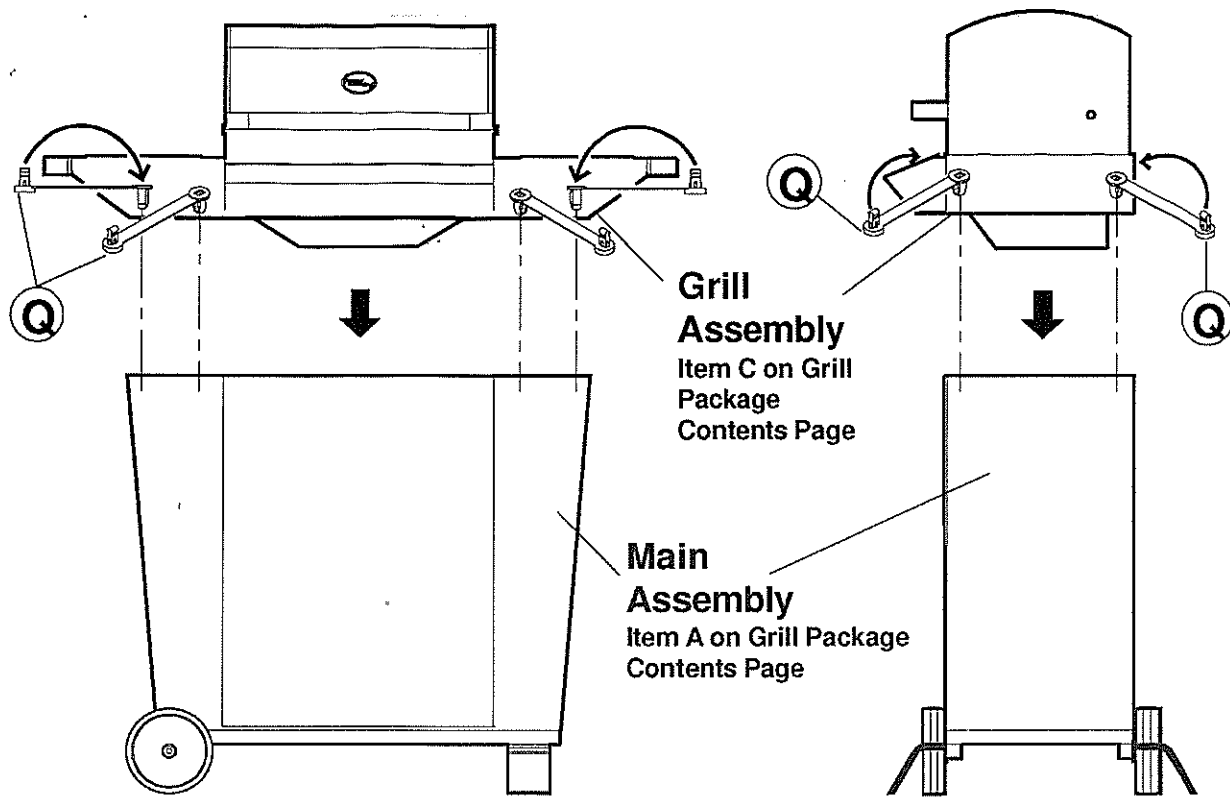
Install the left hand side panel and right hand side panel onto the base assembly using 4 of item I and 4 of item L.

Tighten all fasteners using a L-hex Wrench and a 10mm box type wrench.

	<b>8 of I</b>
	<b>8 of L</b>

**POWER CHEF ELECTRIC GRILL ASSEMBLY**

**Step 3**

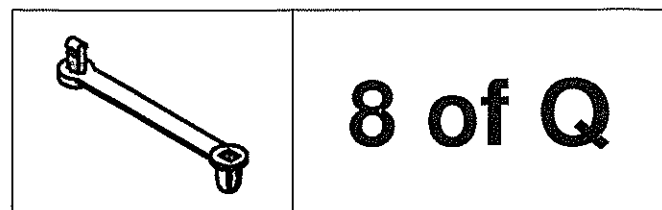
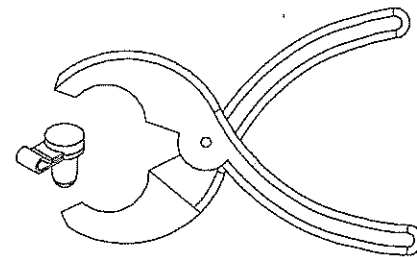


**Grill Assembly**

**Two people are required for this portion of assembly.**

Lower the Grill Assembly onto Main Assembly and secure using 8 of item Q. Push female receptacle through holes in Grill Assembly and Main Assembly as shown. Insert male point into female receptacle to expand.

If you experience difficulty inserting male point completely, you may use pliers. **NOTE:** although top portion of pliers can rest on plastic fastener, bottom **MUST** rest on metal chassis.



**POWER CHEF ELECTRIC GRILL PACKAGE CONTENTS**

	Description	Quantity
A	Base Assembly	1
B	Wheels	2
C	Grill Assembly	1
D	Door	1
E	Grease Cup Bracket	1
F	Grease Cup	1
G	Right Side Panel	1
H	Left Side Panel	1
I	Bolt, M6 x 34 Long	8
J	Bolt, M6 x 12 Long	1
K	Washer	3
L	Nut, M6	9
M	Bolt, Hex Hd., M8 x 80 Long	2
N	Bolt, M4 x 12 Long	2
O	Nut, M8	2
P	Warming Rack	1
Q	Plastic Fastener Loop	8

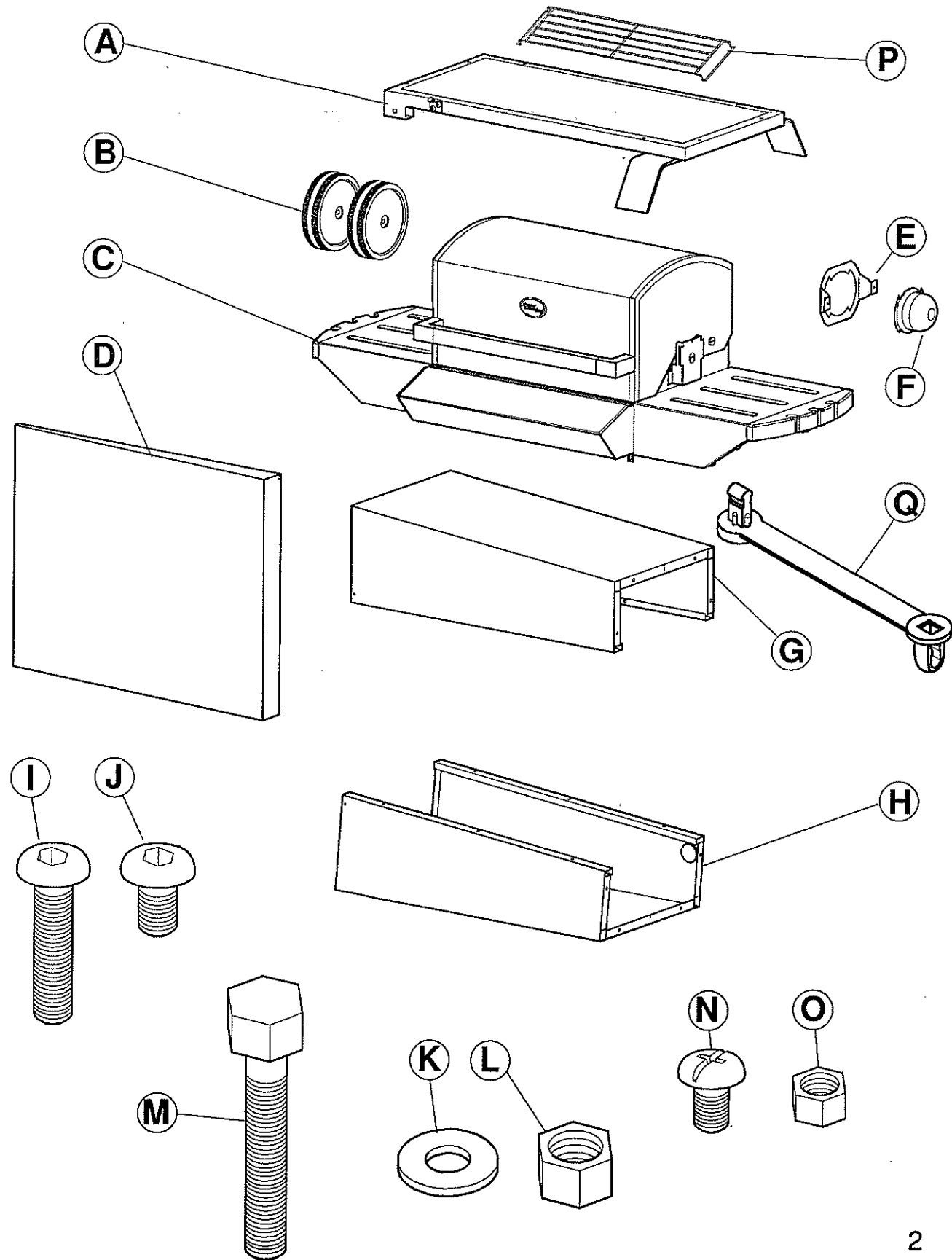
Two people are required for some assembly of the Power Chef Electric Grill.

Care should be taken when handling all parts during assembly to prevent damage.

**Tools Required for Assembly**

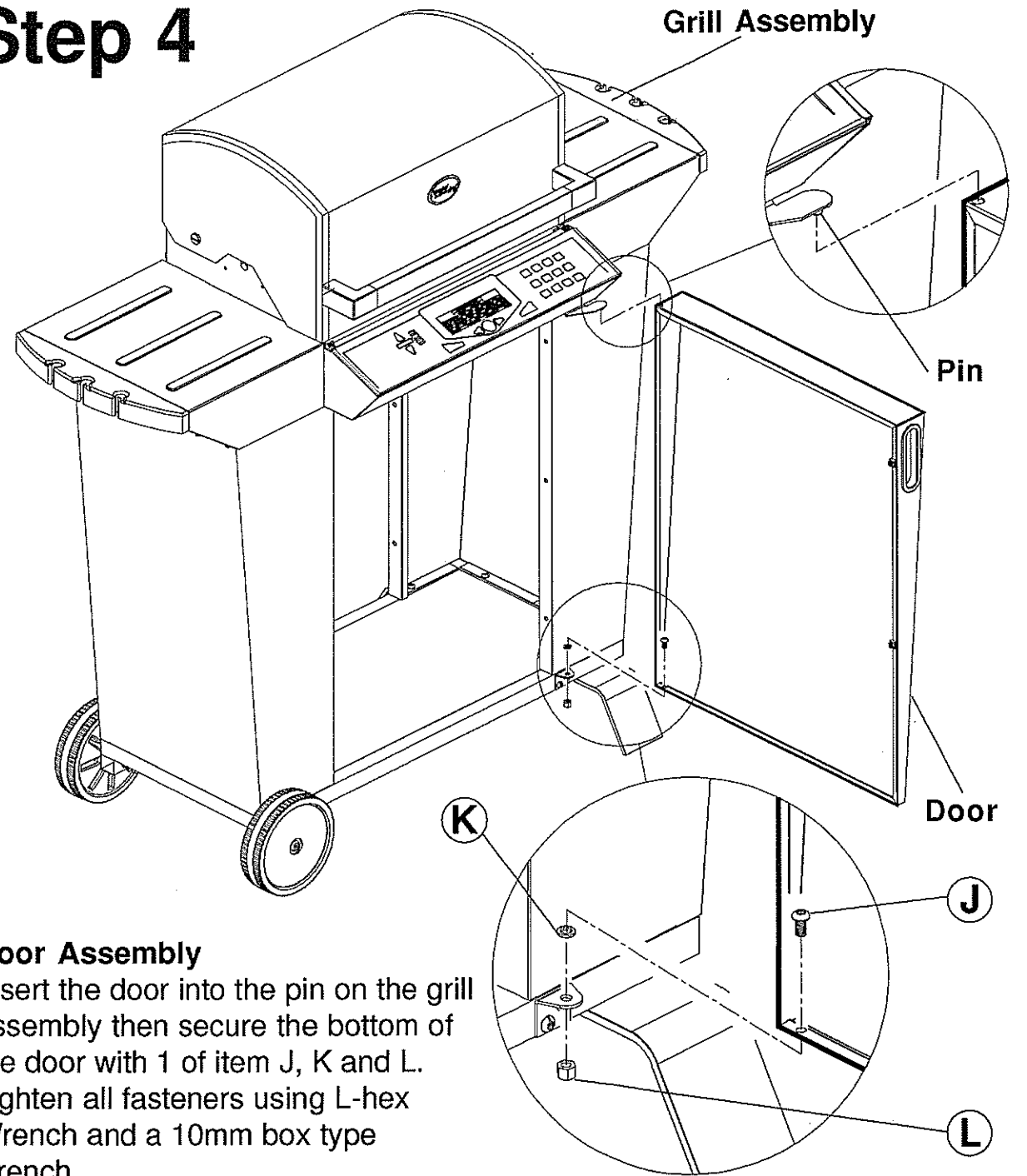
- L-hex Wrench (included)
- Small Phillips Screw Driver (#1)
- Adjustable Wrench
- 10 mm Box Type Wrench (included)
- 13 mm Box Type Wrench (included)
- Pliers may be required

**POWER CHEF ELECTRIC GRILL PACKAGE CONTENTS**



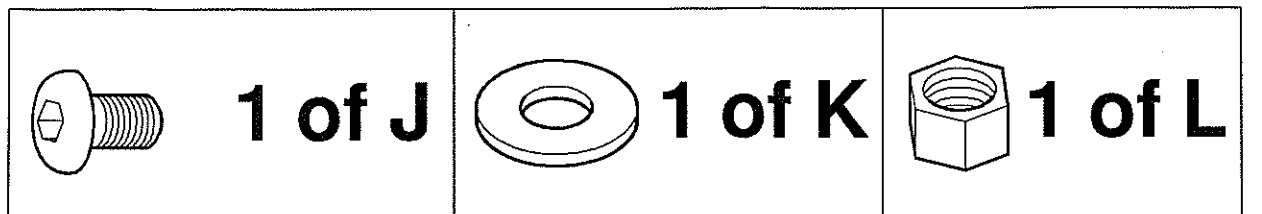
**POWER CHEF ELECTRIC GRILL ASSEMBLY**

**Step 4**



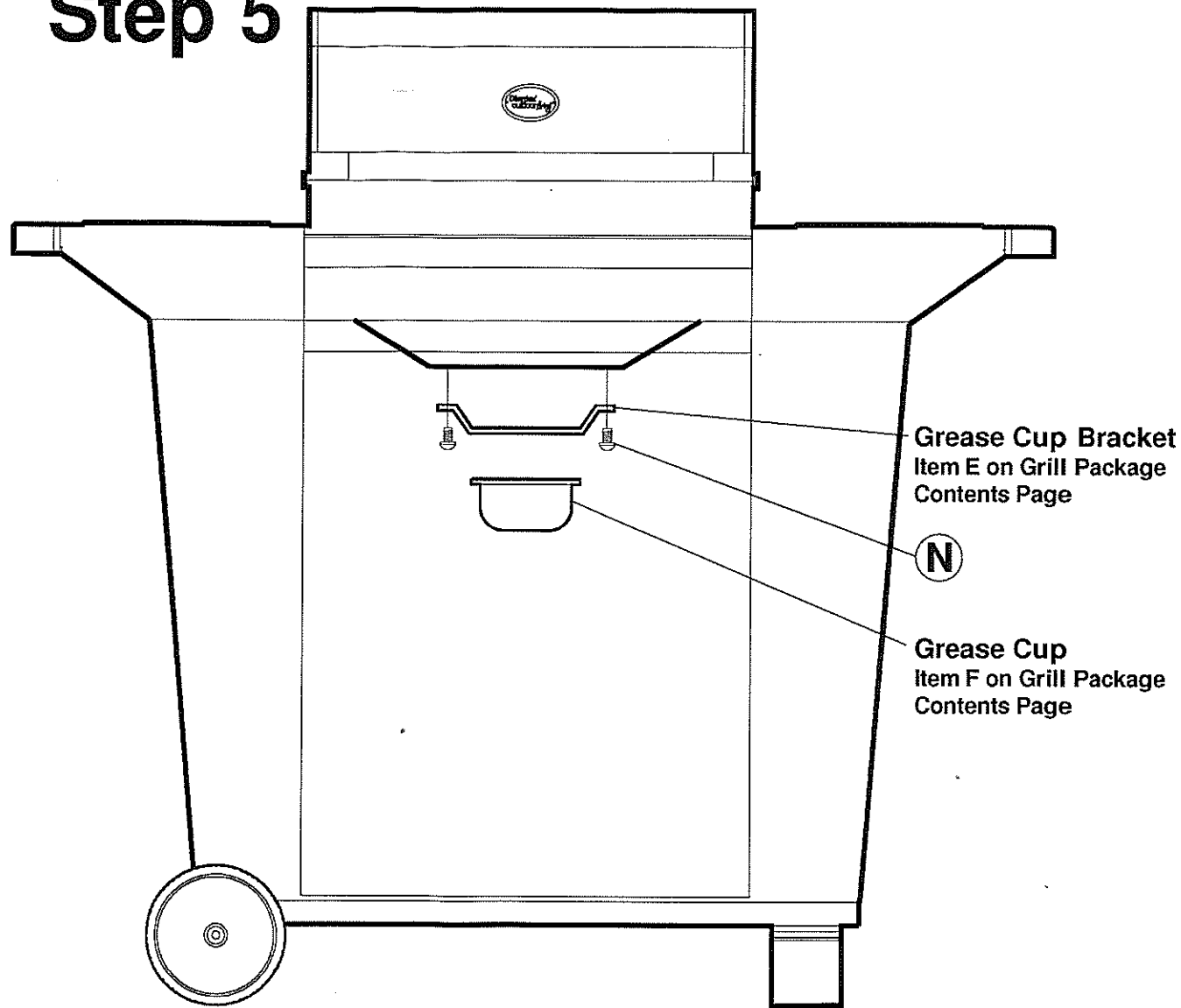
**Door Assembly**

Insert the door into the pin on the grill assembly then secure the bottom of the door with 1 of item J, K and L. Tighten all fasteners using L-hex Wrench and a 10mm box type wrench.



**POWER CHEF ELECTRIC GRILL ASSEMBLY**

**Step 5**

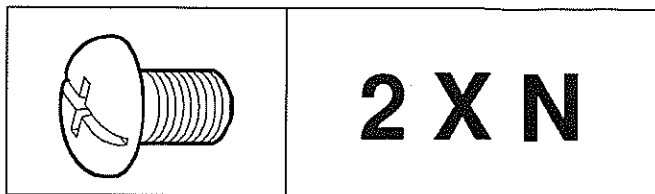


**Grease Cup Bracket**  
Item E on Grill Package Contents Page

**Grease Cup**  
Item F on Grill Package Contents Page

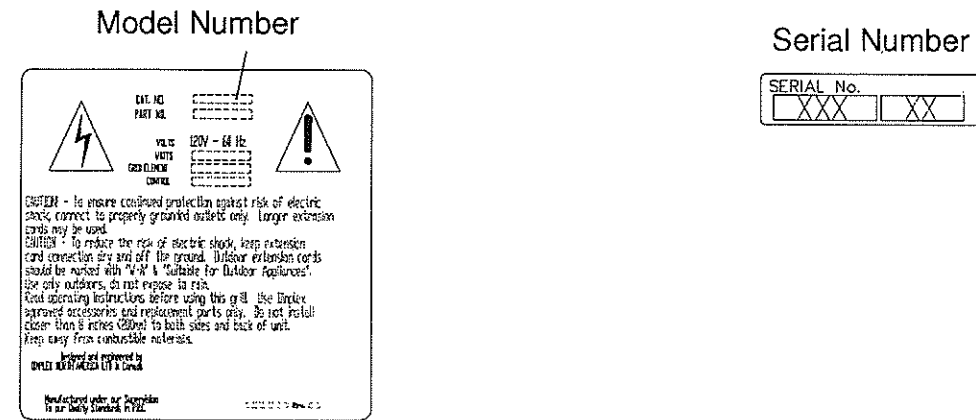
**N**

**Grease Cup Assembly**  
Inside the Cabinet, fasten the Grease Cup Bracket to the Grill Assembly using 2 of item N. Install the Grease Cup aligning the slots on the bracket with the tabs on the grease cup. Twist left or right to secure. Tighten all fasteners using a small Phillips Screw Driver (#1). 8



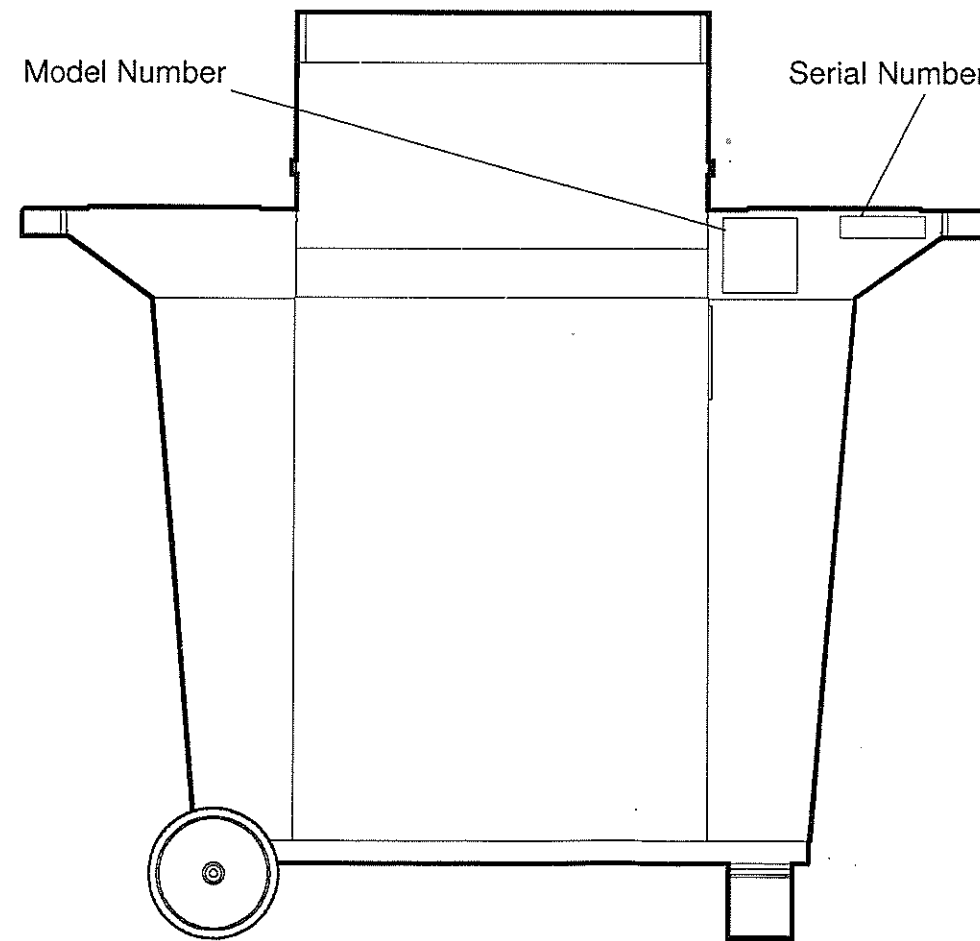
**POWER CHEF MODEL AND SERIAL NUMBER INFORMATION**

If you have any questions regarding our products please have the product model and serial numbers available upon calling customer service. To locate the model and serial number labels see below. Record the model number, serial number, on the front cover of this manual for future reference.



Model Number

Serial Number



**Underneath the left tray towards the back**

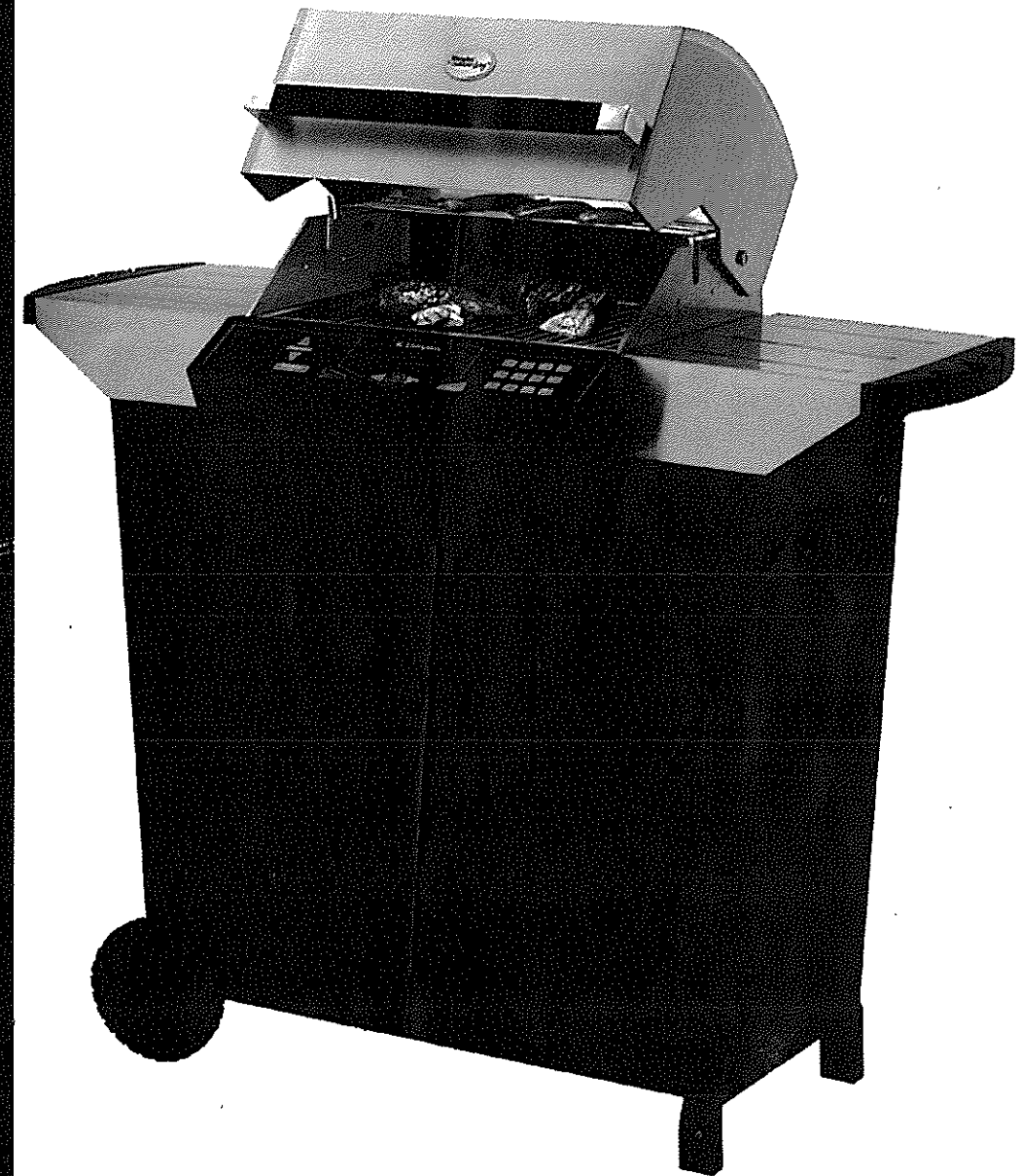


# Assembly Instructions

Serial Number:

Model Number:

## EBQ™ Deluxe Electric Grill



Valued Customer,

We appreciate that you have chosen to purchase an electric grill from Dimplex North America Limited. For years to come cherished memories will occur as you gather for good food and fun with family and friends. Thank you for allowing our product to become part of those special memories.

Martyn Champ  
President

7209560100rev00

**Dimplex**®

North America Limited